

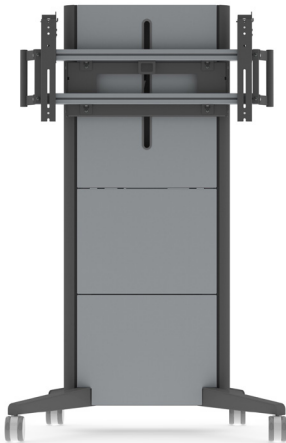
Order Code: 100014281 / 40001426

# PD03MHA / PD03MHA-CB86

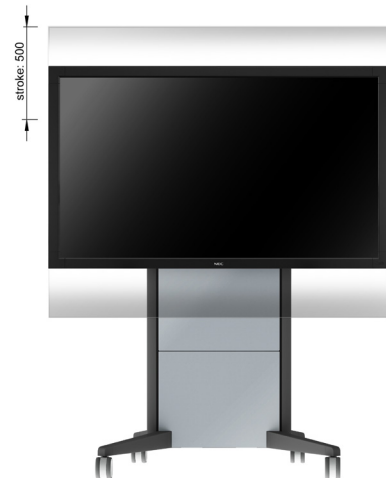
## High-end mobile, motorised, height-adjustable Mount

### High-End Mobile, Motorised, Height-Adjustable Mount for NEC Large Format Displays

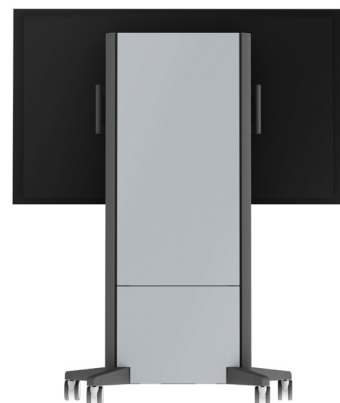
Automatic height-adjustable trolley for large format displays from 46" to 98" offering moveable and ergonomic interactivity for corporate and education, with focus on stability, mobility and flexibility. Elegant yet robust, the bracket prevents the display from shaking when touched. Electrical height-adjustment makes it easy to adjust the screen to different users.



PD03MHA front view



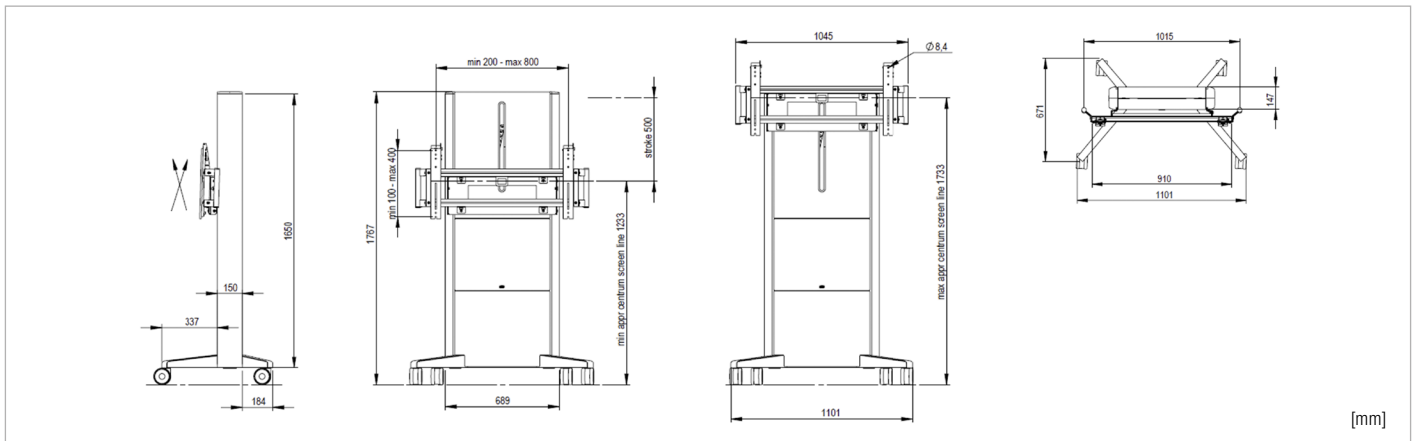
PD03MHA back view



### Delivering Genuine Benefits

- Soft motorised height-adjustment, readily available from a button on the side of the unit
- Especially designed for usage with touch displays
- Professional cable management inside main body
- Storage space for equipment
- Easy to move (large handles as standard)
- Lockable 100mm casters enable safe and easy maneuverability over various flooring surfaces
- Highly preassembled to make installation quick and easy
- Converts from a trolley into a stand using the optional Cart Feet FT02

## Technical Drawings



## Technical Specifications

Order Code	
<b>PD03MHA</b>	100014281
<b>PD03MHA-CB86</b>	40001426
<b>FT02 (Cart Feet)</b>	100013614
Max. load capacity (kg)	
	150
Recommended display size	
	46" to 98"
Orientation	
	Landscape
Height adjustment (mm)	
	500
VESA pattern (mm)	
	PD03MHA 200 x 200 to 800 x 400; PD03MHA-CB86 200 x 200 to 800 x 600
Product weight (kg)	
	82.5
Shipping weight (kg)	
<b>Box 1</b>	20.4
<b>Box 2</b>	65.0
<b>Box 3</b>	9.5
<b>Box 4</b>	3.5 (PD03MHA-CB86)
Package dimension (mm)	
<b>Box 1</b>	1160 x 750 x 120
<b>Box 2</b>	1740 x 790 x 240
<b>Box 3</b>	930 x 290 x 90
<b>Box 4</b>	900 x 100 x 200 (PD03MHA-CB86)
Shipping Content	
	Main body of trolley incl. electric motor, Foot incl. 100mm casters, Handles, Remote control with cable, VESA mounting bars; PD03MHA-CB86: 800x600 VESA mounting bars
Finish	
	Aluminium/anthracite grey
Supported NEC Large Format Displays	
	PD03MHA: All Large Format Displays from 46" - 98" (up to 120kg) - except CB861Q PD03MHA-CB86: CB861Q
Warranty	
	5 years (mechanical parts); 2 years (electrical parts)
For additional pictures and Solutions overview, Visit <a href="http://www.nec-display-solutions.com">www.nec-display-solutions.com</a> for details.	

**NEC Display Solutions Europe GmbH**  
Landshuter Allee 12-14, D-80637 München  
infomail@nec-displays.com  
Phone: +49 (0) 89 99 699-0  
Fax: +49 (0) 89 99 699-500  
[www.nec-display-solutions.com](http://www.nec-display-solutions.com)