

INDOOR CABINET FOR NEC PUBLIC DISPLAYS

Indoor Cabinet for NEC MultiSync® 40", 46" and 55" XS Series Displays. This enclosure is as secure as it is attractive for Digital Signage on walls, columns or suspended from indoor ceiling. In combination with e.g. a Slot-in PC all the solution requires is a power outlet.

This cabinet is designed for commercial premises, public spaces and other locations in which the flow of visitors places high demands on the media equipment. It discreetly blends into different surroundings. Portrait orientation only.

INDOOR CABINET APPLICATIONS



CABINET WHITE VERSION



CABINET BLACK VERSION



INDOOR CABINET



Delivering Genuine Benefits

Delivers with unbreakable Hammerglass that can resist most forms of chemical and acid attack

The polycarbonate glass gives 99,96% UV protection and the surface treatment prevents the glass from clouding or fading

Can be mounted on walls, columns or suspended from the ceiling

Two drill-proof high-security locks prevent from external damage

Optional Indoor Cover gives protection from view and access when mounted on, for example, concrete columns

Simple installation that gives graceful impression, even when used for double-mounted displays

Ready-to-install right out of the box

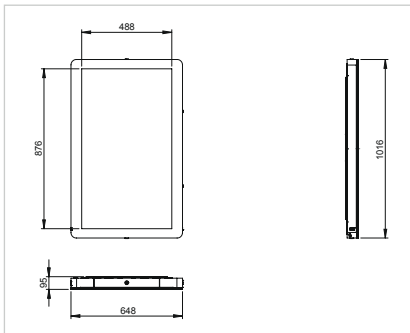
Cabinet is approved by NEC and guarantees longevity and reliability of the NEC displays



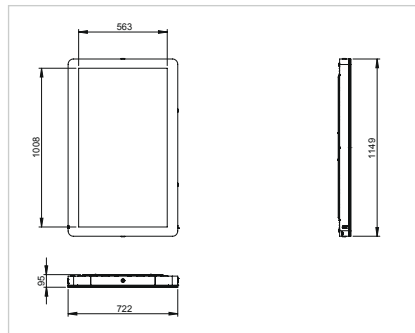
INDOOR CABINET FOR NEC PUBLIC DISPLAYS

TECHNICAL DRAWINGS

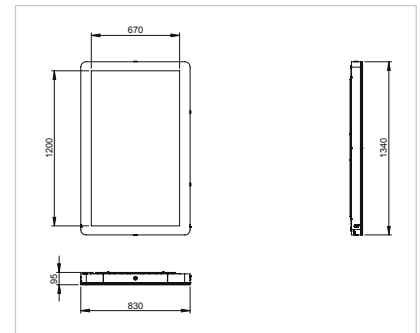
INDOOR CABINET FOR 40" XS-SERIES



INDOOR CABINET FOR 46" XS-SERIES



INDOOR CABINET FOR 55" XS-SERIES



TECHNICAL SPECIFICATIONS

ORDER CODES					
Indoor Cabinet 40 White	40000671	Indoor Cabinet 46 White	40000673	Indoor Cabinet 55 White	40000675
Indoor Cover 40 White	100013300	Indoor Cover 46 White	100013323	Indoor Cover 55 White	100013319
Indoor Cabinet 40 Black	40000676	Indoor Cabinet 46 Black	40000672	Indoor Cabinet 55 Black	40000674
Indoor Cover 40 Black	100013301	Indoor Cover 46 Black	100013322	Indoor Cover 55 Black	100013320
CABINET					
Finish	Black or white				
Casing	Robust coated metal of thickness 1,5-3mm				
Glass	8-10mm unbreakable Hammerglass (polycarbonate)				
ORIENTATION	Portrait				
LOCK	Two drill-proof locks (with keys)				
PACKAGE DIMENSIONS (W x H x D)					
40" Indoor Cabinet	120 x 760 x 113 mm	46" Indoor Cabinet	120 x 860 x 1270 mm	55" Indoor Cabinet	120 x 950 x 1450 mm
VESA Bar 400x400	70 x 510 x 60 mm				
WEIGHT OF CABINET					
40" Indoor Cabinet	36 kg	46" Indoor Cabinet	40 kg	55" Indoor Cabinet	47 kg
VESA Bar 400x400	0,95 kg				
SHIPPING CONTENT	Cabinet incl. VESA Bar 400x400, screws for installing the display, key for locking the cabinet				
SUPPORTED NEC PUBLIC DISPLAYS	MultiSync® 40", 46" and 55" XS Series				
CERTIFICATES / STANDARDS	CE, RoHs				
WARRANTY	3 years				
For additional pictures and Solutions overview, Visit www.nec-display-solutions.com for details.					

This document is © Copyright 2012 NEC Display Solutions Europe GmbH. All rights are reserved in favour of their respective owners. The document, or parts thereof, should not be copied, adapted, redistributed, or otherwise used without the prior written permission of NEC Display Solutions Europe GmbH. This document is provided "as is" without warranty of any kind whatsoever, either express or implied. Errors and omissions are excepted.

NEC Display Solutions Europe GmbH may make changes, revisions or improvements in, or discontinue the supply of any product described or referenced in this document at any time without notice. 4. March 2013

NEC Information:

Call: +49 (0)89/99 699-0

Email: infomail@nec-displays.com

www.nec-display-solutions.com

Empowered by Innovation