

Order Code: 100014927

Desktop Arm Mount DM01 S C

Single monitor desktop arm mount for NEC desktop displays up to 34" in size

Achieve the perfect ergonomic positioning to reduce eye, back and neck strain

The DM01 S C desktop monitor mount features an attractive height adjustable articulating arm that provides optimum ergonomics for monitors up to 34" in size. Designed for easy and fast setup, the clamp-on base allows limitless mounting options on any desktop or countertop surface.

Desktop Monitor Arm Mount



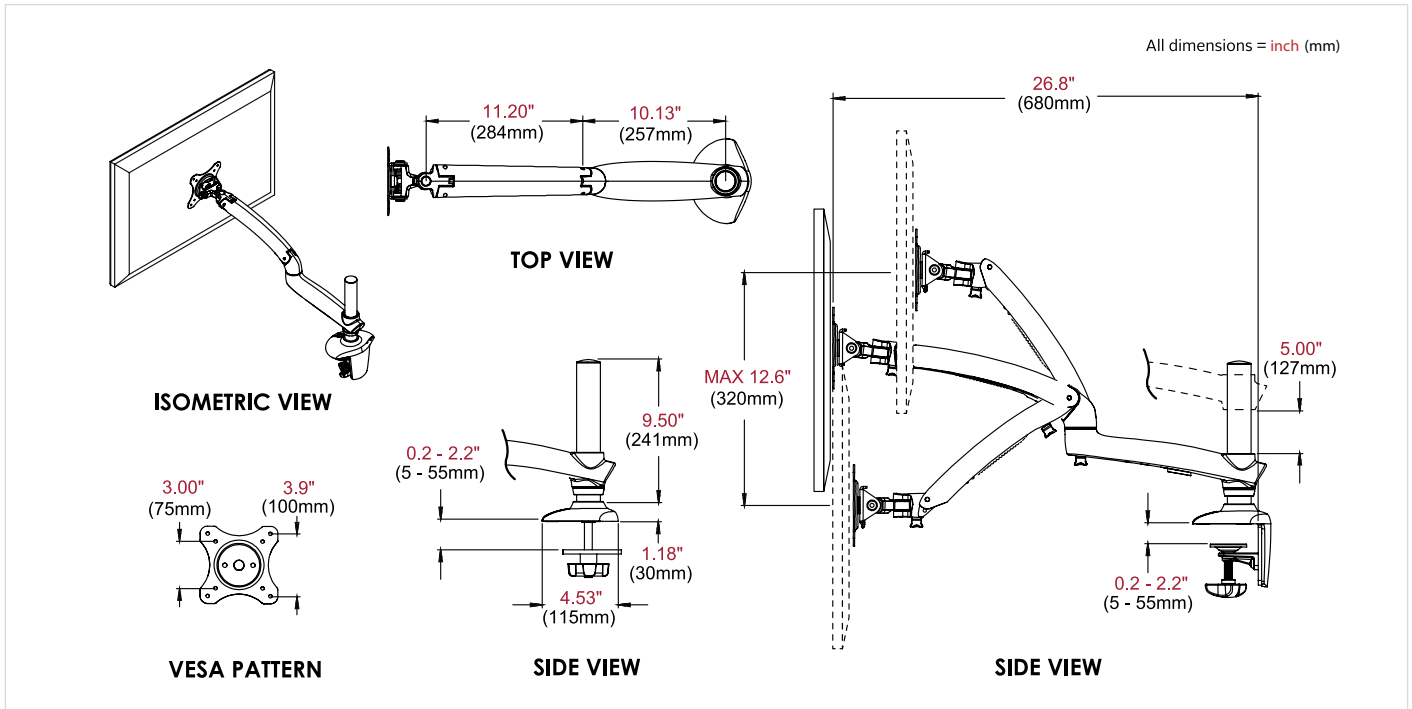
Desktop Monitor Arm Mount Clamp



Delivering Genuine Benefits

- **Health conscious adjustment** – to help reduce eye, back and neck strain, the monitor can be positioned to the perfect ergonomic setup.
- **Smooth and effortless display movement** – the simple to adjust mounting arm allows a floating display movement for perfect adjustment according to your individual needs, whatever the weight of the monitor.
- **Tidy your desk** – mount-integrated cable management ensures a clean and professional finish without a jumble of visible cables whilst freeing up valuable desk space beneath the 'floating' display.
- **Simple and universal setup** – designed to serve all NEC desktop displays up to 34" in size, it takes just a few minutes to connect the monitor, fix the clamp-on mounting base to your desk and be ready to function productively. The robust design and light weight is ideal for rental applications and mobile use.

Technical Drawings



Technical Specifications

Order Codes					
DM01 S C	100014927				
Finish	Polished Aluminum with Black base and accents				
MECHANICAL INFORMATION					
Load Capacity [kg]	3.8 to 8.1				
VESA [mm]	75 x 75 / 100 x 100				
Weight [kg]	5				
Dimensions	See drawing				
Desktop Thickness [mm]	5 to 55				
Shipping Information					
Dimensions [mm]	451 x 130 x 415				
Weight [kg]	5.3				
Content	Base with Pole, Arm w/adaptors, Hardware & mounting instructions				
Additional Information	Tabletop or counter thickness of 0.5" to 2.2" (12-55mm) Monitor can be positioned anywhere from 0.25" to 18.50" (6 to 470mm) above the desktop surface measured to the center of the adaptor				
Supported NEC Desktop Monitors	EA223WM EA224WMi EA234WMi EA245WMi EA245WMi-2	EA273WMi EA271F EA275WMi EA275UHD EA295WMi	PA243W PA272W PA302W PA322 E233WMi	E243WMi E245WMi E271N E171M E203W	E221N E224Wi E223W E241N P212
For additional pictures and Solutions overview, Visit www.nec-display-solutions.com for details.					

NEC Display Solutions Europe GmbH
 Landshuter Allee 12-14, D-80637 München
 infomail@nec-displays.com
 Phone: +49 (0) 89 99 699-0
 Fax: +49 (0) 89 99 699-500
www.nec-display-solutions.com